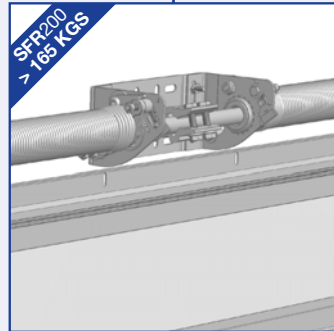
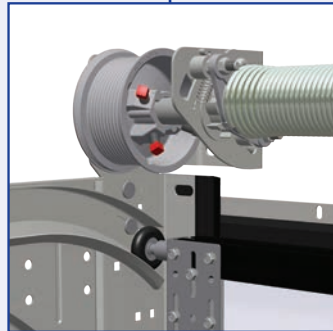
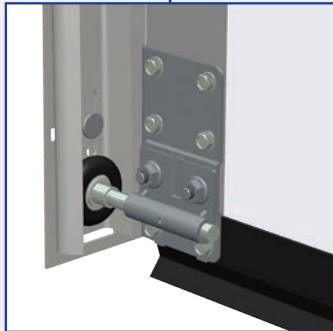




**SFR200**  
&  
**SF200**



**Residential door system with front mounted springs**



## SFR200

- Reinforced Torsion Spring Door Solution
- Suitable for door weights up to **295 kg** according CE standards
- Maximum door dimensions: **6000 mm** wide and **3000 mm** high
- Minimum lintel build in space required: **200 mm** for manual and electrical operation
- Minimum side space required: **45 mm** with thermal break seal, **82 mm** with normal seal
- Reinforced cover for gap between curve and track-set
- Innovative patented Torsion Spring power unit positioning system
- Pre-assembled tracksets available in 2-piece or 3-piece assemblies
- Solid **2 mm** vertical angle and **1,5 mm** track thickness

## SF200

- Standard Torsion Spring Door Solution
- Suitable for door weights up to **165 kg** according CE standards
- Maximum door dimensions: **5000 mm** wide and **3000 mm** high
- Minimum lintel build in space required: **200 mm** for manual and electrical operation
- Minimum side space required: **45 mm** with thermal break seal, **82 mm** with normal seal
- Innovative patented Torsion Spring power unit positioning system
- Pre-assembled tracksets available in 2-piece assemblies
- Solid **2 mm** vertical angle and **1,5 mm** track thickness

### DOCO International B.V.

Nusterweg 96  
6136 KV Sittard  
The Netherlands  
Phone +31 464200666  
Fax +31 464526894  
info@doco-international.com

### DOCO International Southern Europe S.L.U.

Avenida Generalitat 55  
P.I. "Can Met Sidru"  
08530 La Garriga - Barcelona  
Spain  
Phone +34 938612825  
Fax +34 938716592  
ventas@doco-international.com

### DOCO International Central Europe S.R.O.

Háj 352  
798 12 Kralice na Hané  
Czech Republic  
Phone +420 582360100  
Fax +420 582360300  
info@doco-international.com

### DOCO International Ltd.

Unit B3, Elvington Industrial Estate  
Elvington  
York  
YO41 4AR  
United Kingdom  
Phone +44 1904607869  
Fax +44 1904607299  
sales@doco-international.co.uk

### SOMMER Automazioni s.r.l. / DOCO Sales Office

Via della Cooperazione, 105  
38123 Trento Fraz. Mattarello  
Italy  
Phone +39 0461263863  
Fax +39 0461269247  
info@it.sommer.eu

For your Residential and Industrial door solutions:

[www.doco-international.com](http://www.doco-international.com)

A company of the SOMMER Group

